

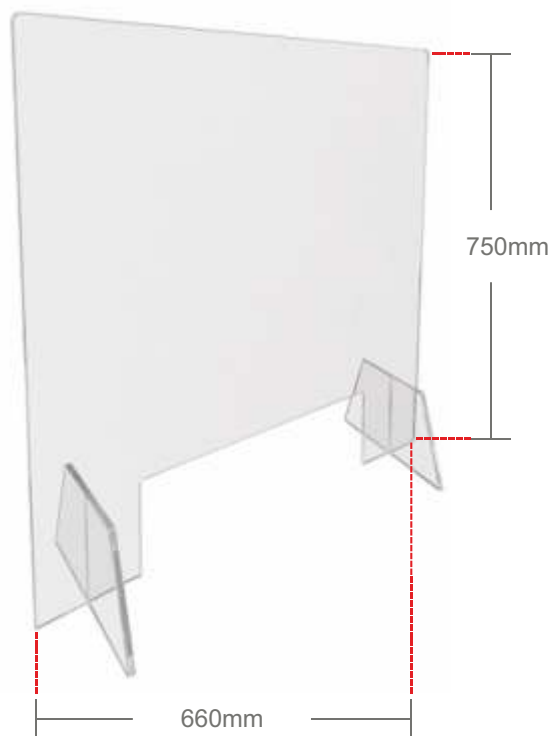
# SOCIAL DIVIDER OPTIONS



*Nice people to do business with...*

[w sussexsigns.com](http://www.sussexsigns.com) | [t 01273 424900](tel:01273424900)





**DESCRIPTION:** FLAT PACK PROTECTIVE SCREEN.

**SPECIFICATIONS:** SCREENS ARE FABRICATED FROM 5mm VERTICAL PANEL WHICH INTERLOCKS INTO 8mm THICK FEET.

QUICK AND EASY TO ASSEMBLE.

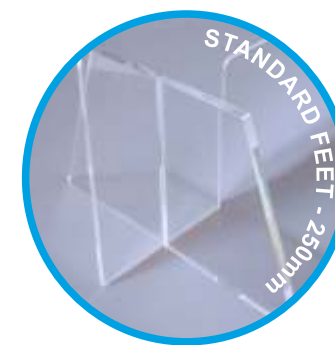
NO TOOLS ARE REQUIRED FOR ASSEMBLY.

**SCREEN MATERIAL:** 5mm CLEAR ACRYLIC  
5mm SILICON (GLASS EFFECT)

**FEET DEPTH:** 250mm

**FACE SIZE:** 750mm x 660mm ( h x w )

**GAP HEIGHT:** 140mm  
NO GAP OPTION ALSO AVAILABLE



**DESCRIPTION:** COUNTER TOP SOLUTION :  
WHERE STAFF STAND TO INTERACT WITH CUSTOMERS.

*The Flat Pack Protective Screen works by placing a clear plastic protective barrier between employees and customers. Suitable for many applications, from retail counter screens to protective units for desk tops and table top environments.*

**KEY FEATURES:** IDEAL FOR PHARMACIES AND GENERAL RETAIL STORES.

UNIT SIMPLY SITS ONTO AN EXISTING COUNTER.

NO ALTERATION TO YOUR EXISTING COUNTER.

UNIT CAN BE PACKED AWAY WHEN NOT NEEDED FOR FUTURE USE.

**BENEFITS:** CLEAR TRANSPARENT BARRIER MAINTAINS VISIBILITY,  
COMMUNICATION BETWEEN STAFF AND CUSTOMERS.

NO NEED FOR EXPENSIVE SITE INSTALLATION.

ALL UNITS ARE FLAT PACKED FOR EASY TOOL FREE ASSEMBLY ON SITE.

PRODUCT DESIGNS ARE STURDY.

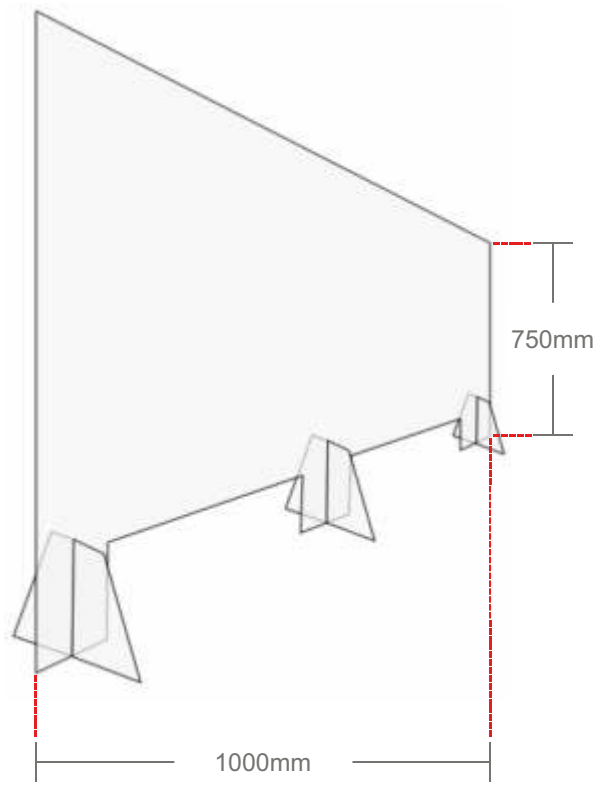
FREE STANDING AND SIMPLY SIT ON YOUR EXISTING COUNTER TOP.

THIS CAN BE CUSTOMISED TO CUSTOMER BRANDING IF REQUIRED.

**CONTACT A TEAM MEMBER FOR PRODUCT OPTIONS, PRICING AND PACKAGES AVAILABLE..**

2-4 foredown drive, portslade, BN41 2BB | tel 01273 424900  
email sales@sussexsigns.com | sussexsigns.com

the  
**sussexsign**  
company  
*Nice people to do business with..*



**DESCRIPTION:** FLAT PACK PROTECTIVE SCREEN.

**SPECIFICATIONS:** SCREENS ARE FABRICATED FROM 5mm VERTICAL PANEL WHICH INTERLOCKS INTO 8mm THICK FEET.

QUICK AND EASY TO ASSEMBLE.

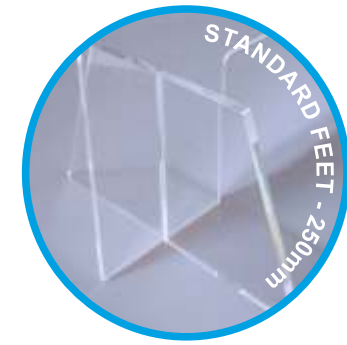
NO TOOLS ARE REQUIRED FOR ASSEMBLY.

**SCREEN MATERIAL:** 5mm CLEAR ACRYLIC  
5mm SILICON (GLASS EFFECT)

**FEET DEPTH:** 250mm  
400mm

**FACE SIZE:** 750mm x 1000mm ( h x w )

**GAP HEIGHT:** 140mm  
NO GAP OPTION ALSO AVAILABLE



**DESCRIPTION:** COUNTER TOP SOLUTION :  
WHERE STAFF STAND TO INTERACT WITH CUSTOMERS.

*The Flat Pack Protective Screen works by placing a clear plastic protective barrier between employees and customers. Suitable for many applications, from retail counter screens to protective units for desk tops and table top environments.*

**KEY FEATURES:** IDEAL FOR PHARMACIES AND GENERAL RETAIL STORES.

UNIT SIMPLY SITS ONTO AN EXISTING COUNTER.

NO ALTERATION TO YOUR EXISTING COUNTER.

UNIT CAN BE PACKED AWAY WHEN NOT NEEDED FOR FUTURE USE.

**BENEFITS:** CLEAR TRANSPARENT BARRIER MAINTAINS VISIBILITY,  
COMMUNICATION BETWEEN STAFF AND CUSTOMERS.

NO NEED FOR EXPENSIVE SITE INSTALLATION.

ALL UNITS ARE FLAT PACKED FOR EASY TOOL FREE ASSEMBLY ON SITE.

PRODUCT DESIGNS ARE STURDY.

FREE STANDING AND SIMPLY SIT ON YOUR EXISTING COUNTER TOP.

THIS CAN BE CUSTOMISED TO CUSTOMER BRANDING IF REQUIRED.

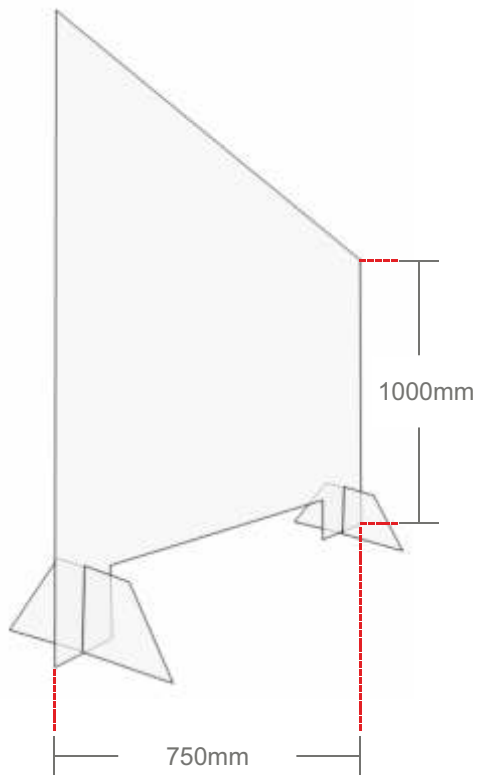
**CONTACT A TEAM MEMBER FOR PRODUCT OPTIONS, PRICING AND PACKAGES AVAILABLE..**

2-4 foredown drive, portslade, BN41 2BB | tel 01273 424900

email sales@sussexsigns.com | sussexsigns.com

the  
**sussexsign  
company**

*Nice people to do business with..*



**DESCRIPTION:** FLAT PACK PROTECTIVE SCREEN.

**SPECIFICATIONS:** SCREENS ARE FABRICATED FROM 5mm VERTICAL PANEL WHICH INTERLOCKS INTO 8mm THICK FEET.

QUICK AND EASY TO ASSEMBLE.

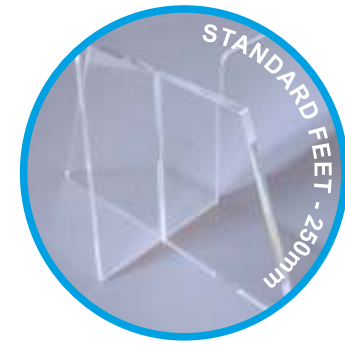
NO TOOLS ARE REQUIRED FOR ASSEMBLY.

**SCREEN MATERIAL:** 5mm CLEAR ACRYLIC  
5mm SILICON (GLASS EFFECT)

**FEET DEPTH:** 400mm

**FACE SIZE:** 1000mm x 750mm ( h x w )

**GAP HEIGHT:** 140mm  
NO GAP OPTION ALSO AVAILABLE



**DESCRIPTION:** COUNTER TOP SOLUTION :  
WHERE STAFF STAND TO INTERACT WITH CUSTOMERS.

*The Flat Pack Protective Screen works by placing a clear plastic protective barrier between employees and customers. Suitable for many applications, from retail counter screens to protective units for desk tops and table top environments.*

**KEY FEATURES:** IDEAL FOR PHARMACIES AND GENERAL RETAIL STORES.

UNIT SIMPLY SITS ONTO AN EXISTING COUNTER.

NO ALTERATION TO YOUR EXISTING COUNTER.

UNIT CAN BE PACKED AWAY WHEN NOT NEEDED FOR FUTURE USE.

**BENEFITS:** CLEAR TRANSPARENT BARRIER MAINTAINS VISIBILITY,  
COMMUNICATION BETWEEN STAFF AND CUSTOMERS.

NO NEED FOR EXPENSIVE SITE INSTALLATION.

ALL UNITS ARE FLAT PACKED FOR EASY TOOL FREE ASSEMBLY ON SITE.

PRODUCT DESIGNS ARE STURDY.

FREE STANDING AND SIMPLY SIT ON YOUR EXISTING COUNTER TOP.

THIS CAN BE CUSTOMISED TO CUSTOMER BRANDING IF REQUIRED.

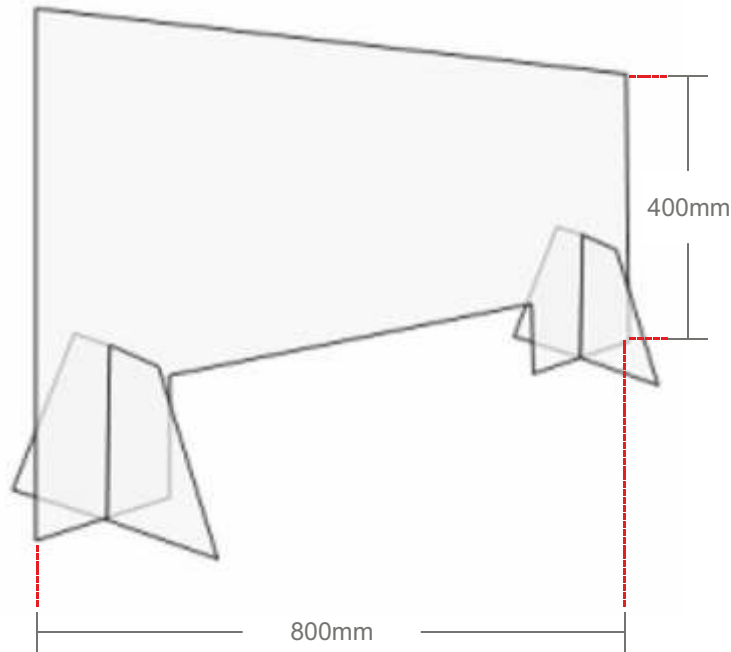
**CONTACT A TEAM MEMBER FOR PRODUCT OPTIONS, PRICING AND PACKAGES AVAILABLE..**

2-4 foredown drive, portslade, BN41 2BB | tel 01273 424900

email sales@sussexsigns.com | sussexsigns.com

the  
**sussexsign**  
company

*Nice people to do business with..*



**DESCRIPTION:** FLAT PACK LOW BARRIER PROTECTIVE SCREEN.

**SPECIFICATIONS:** SCREENS ARE FABRICATED FROM 5mm VERTICAL PANEL WHICH INTERLOCKS INTO 8mm THICK FEET.

QUICK AND EASY TO ASSEMBLE.

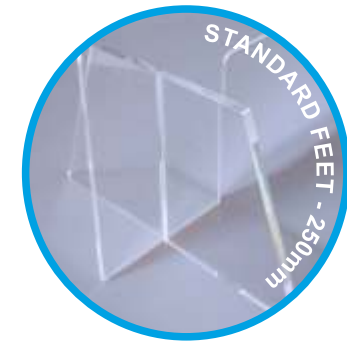
NO TOOLS ARE REQUIRED FOR ASSEMBLY.

**SCREEN MATERIAL:** 5mm CLEAR ACRYLIC  
5mm SILICON (GLASS EFFECT)

**FEET DEPTH:** 250mm  
400mm

**FACE SIZE:** 400mm x 800mm ( h x w )

**GAP HEIGHT:** 120mm  
NO GAP OPTION ALSO AVAILABLE



**DESCRIPTION:** COUNTER TOP SOLUTION :  
WHERE STAFF STAND TO INTERACT WITH CUSTOMERS.

*The Flat Pack Low Barrier Protective Screen works by placing a clear plastic protective barrier between employees and customers. Suitable for many applications, from retail counter screens to protective units for desk tops and table top environments.*

**KEY FEATURES:** IDEAL FOR HIGH LEVEL COUNTER TOPS.

IDEAL FOR PHARMACIES AND GENERAL RETAIL STORES.

UNIT SIMPLY SITS ONTO AN EXISTING COUNTER.

NO ALTERATION TO YOUR EXISTING COUNTER.

**BENEFITS:** UNIT CAN BE PACKED AWAY WHEN NOT NEEDED FOR FUTURE USE.

CLEAR TRANSPARENT BARRIER MAINTAINS VISIBILITY,  
COMMUNICATION BETWEEN STAFF AND CUSTOMERS.

NO NEED FOR EXPENSIVE SITE INSTALLATION.

ALL UNITS ARE FLAT PACKED FOR EASY TOOL FREE ASSEMBLY ON SITE.

PRODUCT DESIGNS ARE STURDY.

FREE STANDING & SIMPLY SIT ON YOUR EXISTING COUNTER TOP.

THIS CAN BE CUSTOMISED TO CUSTOMER BRANDING IF REQUIRED.

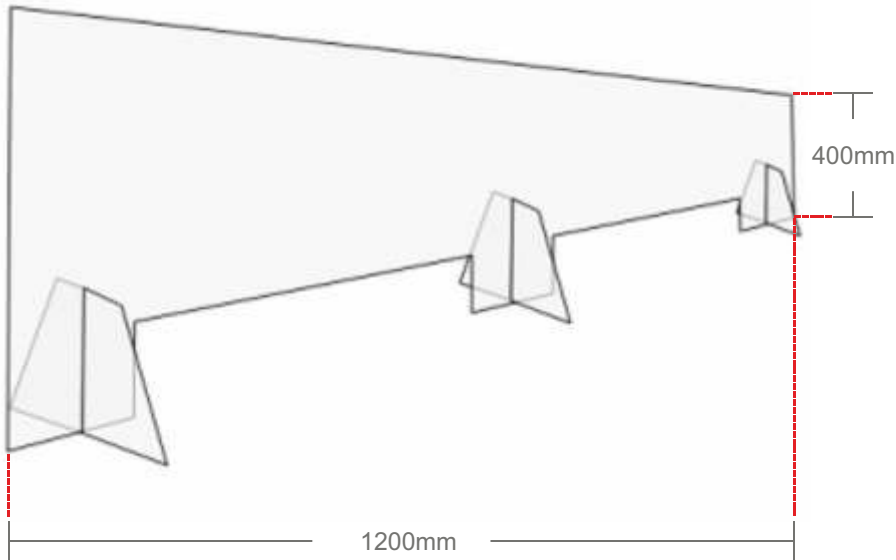
**CONTACT A TEAM MEMBER FOR PRODUCT OPTIONS, PRICING AND PACKAGES AVAILABLE..**

2-4 foredown drive, portslade, BN41 2BB | tel 01273 424900

email sales@sussexsigns.com | sussexsigns.com

the  
**sussexsign**  
company

*Nice people to do business with..*



**DESCRIPTION:** FLAT PACK LOW BARRIER PROTECTIVE SCREEN.

**SPECIFICATIONS:** SCREENS ARE FABRICATED FROM 5mm VERTICAL PANEL WHICH INTERLOCKS INTO 8mm THICK FEET.

QUICK AND EASY TO ASSEMBLE.

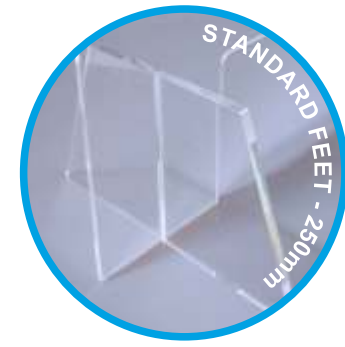
NO TOOLS ARE REQUIRED FOR ASSEMBLY.

**SCREEN MATERIAL:** 5mm CLEAR ACRYLIC  
5mm SILICON (GLASS EFFECT)

**FEET DEPTH:** 250mm  
400mm

**FACE SIZE:** 400mm x 1200mm ( h x w )

**GAP HEIGHT:** 120mm  
NO GAP OPTION ALSO AVAILABLE



**DESCRIPTION:** COUNTER TOP SOLUTION :  
WHERE STAFF STAND TO INTERACT WITH CUSTOMERS.

*The Flat Pack Low Barrier Protective Screen works by placing a clear plastic protective barrier Between employees and customers. Suitable for many applications, from retail counter screens to protective units for desk tops and table top environments.*

**KEY FEATURES:** IDEAL FOR HIGH LEVEL COUNTER TOPS.

IDEAL FOR PHARMACIES AND GENERAL RETAIL STORES.

UNIT SIMPLY SITS ONTO AN EXISTING COUNTER.

NO ALTERATION TO YOUR EXISTING COUNTER.

UNIT CAN BE PACKED AWAY WHEN NOT NEEDED FOR FUTURE USE.

**BENEFITS:** CLEAR TRANSPARENT BARRIER MAINTAINS VISIBILITY,  
COMMUNICATION BETWEEN STAFF AND CUSTOMERS.

NO NEED FOR EXPENSIVE SITE INSTALLATION.

ALL UNITS ARE FLAT PACKED FOR EASY TOOL FREE ASSEMBLY ON SITE.

PRODUCT DESIGNS ARE STURDY.

FREE STANDING & SIMPLY SIT ON YOUR EXISTING COUNTER TOP.

THIS CAN BE CUSTOMISED TO CUSTOMER BRANDING IF REQUIRED.

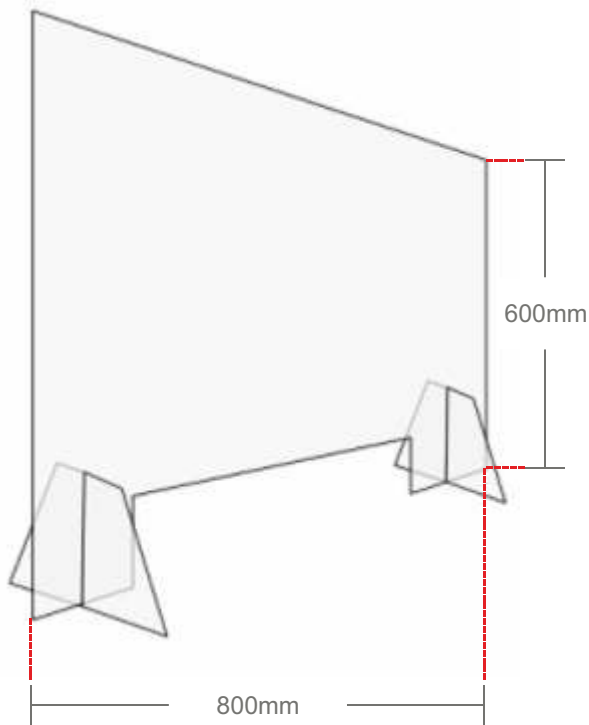
**CONTACT A TEAM MEMBER FOR PRODUCT OPTIONS, PRICING AND PACKAGES AVAILABLE..**

2-4 foredown drive, portslade, BN41 2BB | tel 01273 424900

email sales@sussexsigns.com | sussexsigns.com

the  
**sussexsign  
company**

*Nice people to do business with..*



**DESCRIPTION:** FLAT PACK LOW BARRIER PROTECTIVE SCREEN.

**SPECIFICATIONS:** SCREENS ARE FABRICATED FROM 5mm VERTICAL PANEL WHICH INTERLOCKS INTO 8mm THICK FEET.

QUICK AND EASY TO ASSEMBLE.

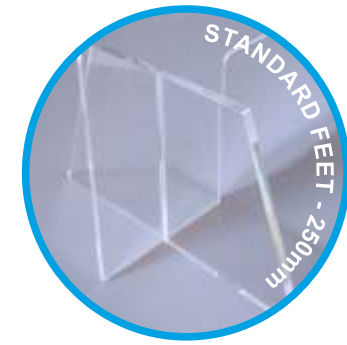
NO TOOLS ARE REQUIRED FOR ASSEMBLY.

**SCREEN MATERIAL:** 5mm CLEAR ACRYLIC  
5mm SILICON (GLASS EFFECT)

**FEET DEPTH:** 250mm  
400mm

**FACE SIZE:** 600mm x 800mm ( h x w )

**GAP HEIGHT:** 120mm  
NO GAP OPTION ALSO AVAILABLE



**DESCRIPTION:** COUNTER TOP SOLUTION :  
WHERE STAFF STAND TO INTERACT WITH CUSTOMERS.

*The Flat Pack Low Barrier Protective Screen works by placing a clear plastic protective barrier Between employees and customers. Suitable for many applications, from retail counter screens to protective units for desk tops and table top environments.*

**KEY FEATURES:** IDEAL FOR HIGH LEVEL COUNTER TOPS.

IDEAL FOR PHARMACIES AND GENERAL RETAIL STORES.

UNIT SIMPLY SITS ONTO AN EXISTING COUNTER.

NO ALTERATION TO YOUR EXISTING COUNTER.

UNIT CAN BE PACKED AWAY WHEN NOT NEEDED FOR FUTURE USE.

**BENEFITS:** CLEAR TRANSPARENT BARRIER MAINTAINS VISIBILITY,  
COMMUNICATION BETWEEN STAFF AND CUSTOMERS.

NO NEED FOR EXPENSIVE SITE INSTALLATION.

ALL UNITS ARE FLAT PACKED FOR EASY TOOL FREE ASSEMBLY ON SITE.

PRODUCT DESIGNS ARE STURDY.

FREE STANDING & SIMPLY SIT ON YOUR EXISTING COUNTER TOP.

THIS CAN BE CUSTOMISED TO CUSTOMER BRANDING IF REQUIRED.

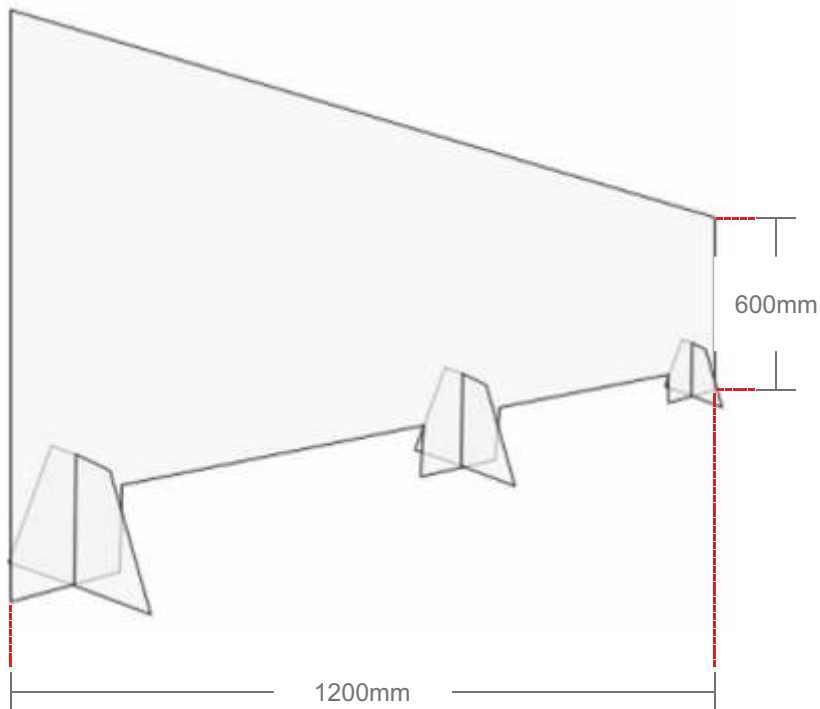
**CONTACT A TEAM MEMBER FOR PRODUCT OPTIONS, PRICING AND PACKAGES AVAILABLE..**

2-4 foredown drive, portslade, BN41 2BB | tel 01273 424900

email sales@sussexsigns.com | sussexsigns.com

the  
**sussexsign  
company**

*Nice people to do business with..*



**DESCRIPTION:** FLAT PACK LOW BARRIER PROTECTIVE SCREEN.

**SPECIFICATIONS:** SCREENS ARE FABRICATED FROM 5mm VERTICAL PANEL WHICH INTERLOCKS INTO 8mm THICK FEET.

QUICK AND EASY TO ASSEMBLE.

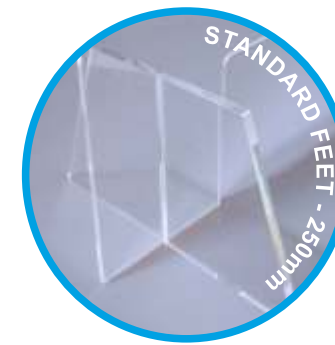
NO TOOLS ARE REQUIRED FOR ASSEMBLY.

**SCREEN MATERIAL:** 5mm CLEAR ACRYLIC  
5mm SILICON (GLASS EFFECT)

**FEET DEPTH:** 250mm  
400mm

**FACE SIZE:** 600mm x 1200mm ( h x w )

**GAP HEIGHT:** 120mm  
NO GAP OPTION ALSO AVAILABLE



**DESCRIPTION:** COUNTER TOP SOLUTION :  
WHERE STAFF STAND TO INTERACT WITH CUSTOMERS.

*The Flat Pack Low Barrier Protective Screen works by placing a clear plastic protective barrier Between employees and customers. Suitable for many applications, from retail counter screens to protective units for desk tops and table top environments.*

**KEY FEATURES:** IDEAL FOR HIGH LEVEL COUNTER TOPS.

IDEAL FOR PHARMACIES AND GENERAL RETAIL STORES.

UNIT SIMPLY SITS ONTO AN EXISTING COUNTER.

NO ALTERATION TO YOUR EXISTING COUNTER.

UNIT CAN BE PACKED AWAY WHEN NOT NEEDED FOR FUTURE USE.

**BENEFITS:** CLEAR TRANSPARENT BARRIER MAINTAINS VISIBILITY,  
COMMUNICATION BETWEEN STAFF AND CUSTOMERS.

NO NEED FOR EXPENSIVE SITE INSTALLATION.

ALL UNITS ARE FLAT PACKED FOR EASY TOOL FREE ASSEMBLY ON SITE.

PRODUCT DESIGNS ARE STURDY.

FREE STANDING & SIMPLY SIT ON YOUR EXISTING COUNTER TOP.

THIS CAN BE CUSTOMISED TO CUSTOMER BRANDING IF REQUIRED.

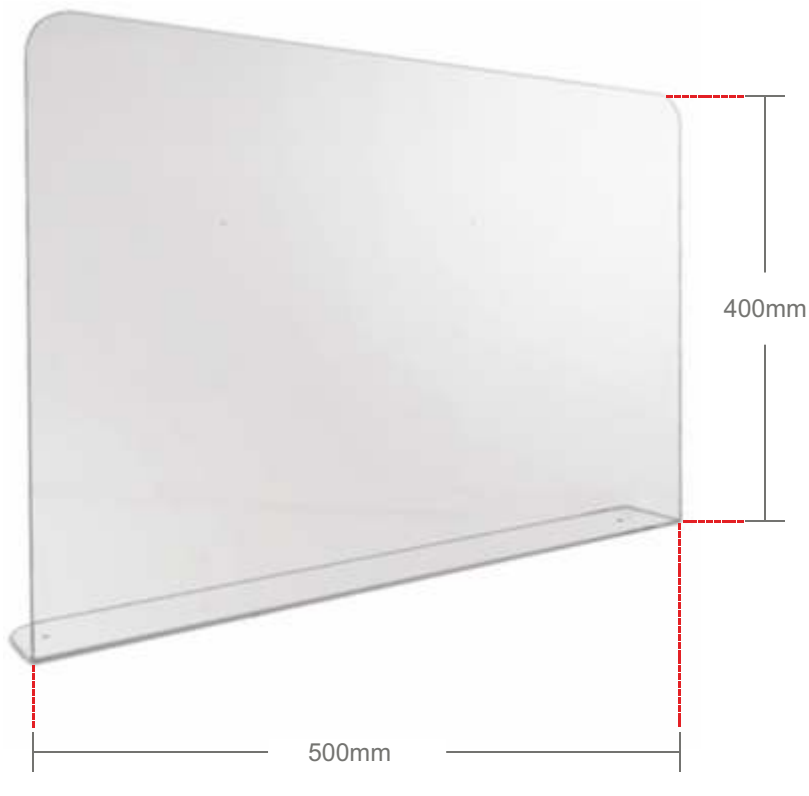
**CONTACT A TEAM MEMBER FOR PRODUCT OPTIONS, PRICING AND PACKAGES AVAILABLE..**

2-4 foredown drive, portslade, BN41 2BB | tel 01273 424900

email sales@sussexsigns.com | sussexsigns.com

the  
**sussexsign  
company**  
*Nice people to do business with..*





**DESCRIPTION:** ACRYLIC SNEEZE GUARD WITH BASE RETURN.

**SPECIFICATIONS:** ACRYLIC SNEEZE GUARDS WITH SCREW-DOWN BASE ARE MADE FROM A SINGLE PIECE OF ACRYLIC, WITH THE BASE BENT BACK AT RIGHT ANGLES TO ENABLE IT TO BE FIXED DOWN TO A COUNTER, DESK OR TABLE.

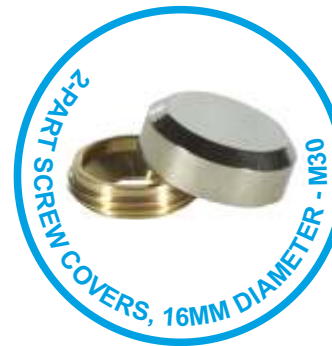
NO TOOLS ARE REQUIRED FOR ASSEMBLY.

**SCREEN MATERIAL:** 5mm CLEAR ACRYLIC

**RETURN DEPTH:** 50mm

**FACE SIZE:** 400mm x 500mm x 50mm ( h x w x d )

**FIXING METHOD:** DOUBLE SIDED TAPE  
HOLES FOR SCREWS ( 5mm )



**DESCRIPTION:** ACRYLIC SNEEZE GUARD WITH BASE RETURN :

*The Acrylic Sneeze Guard with base return are made from a single piece of Acrylic. The base is folded at a right angle to enable the screen to be affixed to a counter top, desk or table.*

*The guard works by placing a clear plastic protective barrier between employees and or customers. Suitable for many applications, from retail counter screens to protective units for desk tops and table top environments.*

**KEY FEATURES:** UNIT SIMPLY AFFIXES TO AN EXISTING COUNTER:

INSTALLATION EITHER BY SCREW AND CAP OR DOUBLE SIDED TAPE.

SIMPLE INSTALLATION.

WASHABLE CLEAR DIVIDER THAT CREATES A PHYSICAL SEPARATION AND HELPS MAINTAIN SOCIAL DISTANCING.

**BENEFITS:** CLEAR TRANSPARENT BARRIER MAINTAINS VISIBILITY, COMMUNICATION BETWEEN STAFF AND CUSTOMERS.

PRODUCT DESIGNS ARE STURDY.

THIS CAN BE CUSTOMISED TO YOUR BRANDING IF REQUIRED.

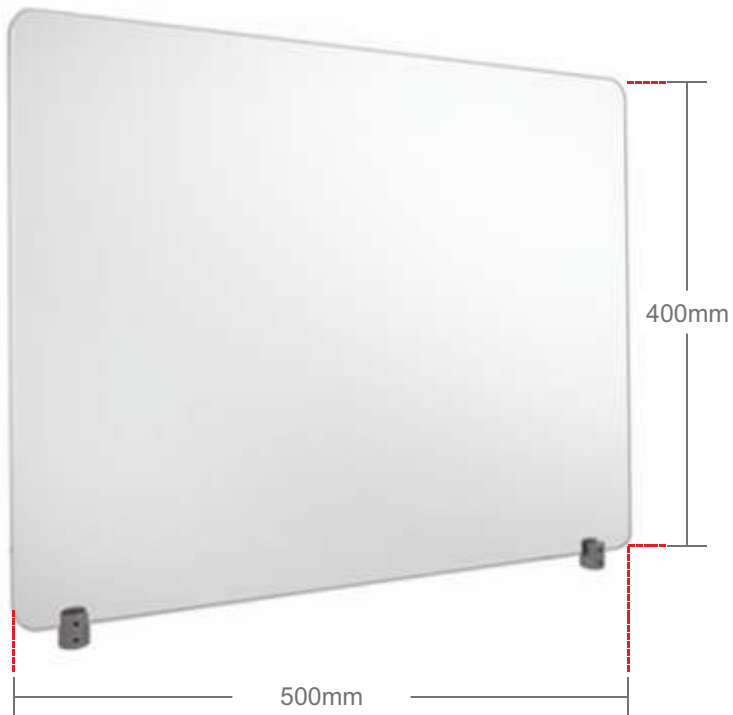
**CONTACT A TEAM MEMBER FOR PRODUCT OPTIONS, PRICING AND PACKAGES AVAILABLE..**

2-4 foredown drive, portslade, BN41 2BB | tel 01273 424900

email sales@sussexsigns.com | sussexsigns.com

the  
**sussexsign  
company**

*Nice people to do business with..*



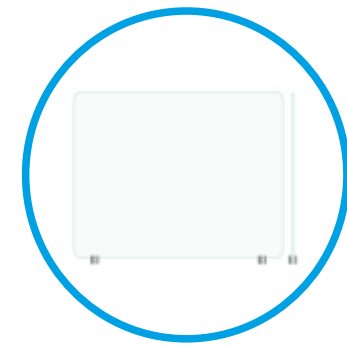
**DESCRIPTION:** ACRYLIC SNEEZE GUARD WITH CLAMPS.

**SPECIFICATIONS:** ACRYLIC SNEEZE GUARD WITH PERPENDICULAR CLAMPS ARE MADE FROM A SINGLE PIECE OF ACRYLIC, SUITABLE TO BE FIXED DOWN TO A COUNTER, DESK OR TABLE.

**SCREEN MATERIAL:** 5mm CLEAR ACRYLIC  
5mm SILICON (GLASS EFFECT)

**FACE SIZE:** 400mm x 500mm x 20mm ( h x w x r )

**FIXING METHOD:** COUNTERSUNK HOLE TO ACCEPT A SCREW OR BOLT FOR FIXING TO SURFACE JAW SIZE IS 11mm FOR VARIATIONS OF MATERIAL THICKNESSES WITH GRUB SCREW TO SUIT.



**DESCRIPTION:** ACRYLIC SNEEZE GUARD WITH PERPENDICULAR CLAMPS :

*The Acrylic Sneeze Guard with perpendicular clamps is made from a single piece of Acrylic. The perpendicular clamps enable the screen to be affixed to a counter top, desk or table.*

*The guard works by placing a clear plastic protective barrier between employees and or customers. Suitable for many applications, from retail counter screens to protective units for desk tops and table top environments.*

**KEY FEATURES:** UNIT SIMPLY AFFIXES TO AN EXISTING COUNTER:

**INSTALLATION EITHER BY PERPENDICULAR CLAMPS.**

**SIMPLE INSTALLATION.**

**WASHABLE CLEAR DIVIDER THAT CREATES A PHYSICAL SEPARATION AND HELPS MAINTAIN SOCIAL DISTANCING.**

**BENEFITS:** CLEAR TRANSPARENT BARRIER MAINTAINS VISIBILITY, COMMUNICATION BETWEEN STAFF AND CUSTOMERS.

**PRODUCT DESIGNS ARE STURDY.**

**THIS CAN BE CUSTOMISED TO YOUR BRANDING IF REQUIRED.**

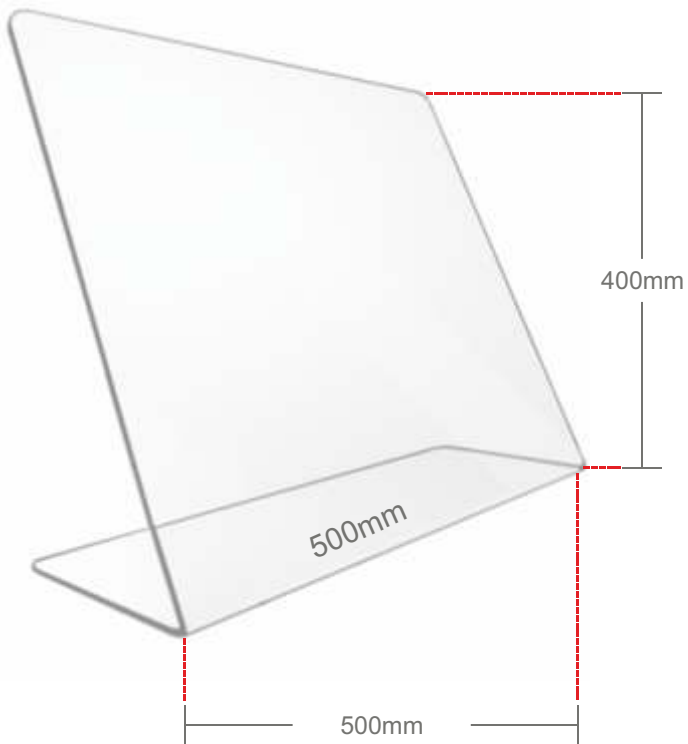
**CONTACT A TEAM MEMBER FOR PRODUCT OPTIONS, PRICING AND PACKAGES AVAILABLE..**

2-4 foredown drive, portslade, BN41 2BB | tel 01273 424900

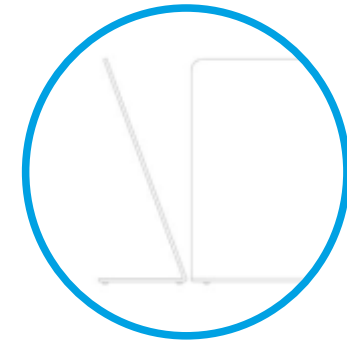
email sales@sussexsigns.com | sussexsigns.com

the  
**sussexsign**  
company

*Nice people to do business with..*



- DESCRIPTION:** FREE STANDING SNEEZE GUARD.
- SPECIFICATIONS:** FREESTANDING ACRYLIC SNEEZE GUARD ARE MADE FROM A SINGLE PIECE OF ACRYLIC, COMPLETE WITH AN ANGLED BASE.
- SUITABLE FOR A COUNTER, DESK OR TABLE.
- NO TOOLS ARE REQUIRED FOR ASSEMBLY.
- SCREEN MATERIAL:** 5mm CLEAR ACRYLIC  
5mm SILICON (GLASS EFFECT)
- FACE SIZE:** 400mm x 500mm x 150mm ( h x w x d )
- FIXING METHOD:** FREESTANDING - NO FIXING METHOD REQUIRED.



**DESCRIPTION: FREESTANDING SNEEZE GUARD WITH BASE RETURN :**

*The Freestanding Sneeze Guard complete with an angled base return is made from a single piece of Acrylic. The base is folded at an angle to enable temporarily placement to a counter top, desk or table.*

*The guard works by placing a clear plastic protective barrier between employees and or customers. Suitable for many applications, from retail counter screens to protective units for desk tops and table top environments.*

**KEY FEATURES: UNIT SIMPLY AFFIXES TO AN EXISTING COUNTER:**

**NO ALTERATION TO YOUR EXISTING COUNTER.**

**UNIT CAN BE PACKED AWAY WHEN NOT NEEDED FOR FUTURE USE.**

**WASHABLE CLEAR DIVIDER THAT CREATES A PHYSICAL SEPARATION AND HELPS MAINTAIN SOCIAL DISTANCING.**

**BENEFITS:**

**CLEAR TRANSPARENT BARRIER MAINTAINS VISIBILITY, COMMUNICATION BETWEEN STAFF AND CUSTOMERS.**

**NO NEED FOR EXPENSIVE SITE INSTALLATION.**

**EASY, TOOL FREE ASSEMBLY ON SITE.**

**FREE STANDING AND SIMPLY SIT ON YOUR EXISTING COUNTER TOP.**

**THIS CAN BE CUSTOMISED TO CUSTOMER BRANDING IF REQUIRED.**

**CONTACT A TEAM MEMBER FOR PRODUCT OPTIONS, PRICING AND PACKAGES AVAILABLE..**

2-4 foredown drive, portslade, BN41 2BB | **tel** 01273 424900  
**email** sales@sussexsigns.com | [sussexsigns.com](http://sussexsigns.com)

